

NA36N6555TS

36" Gas Cooktop



Stainless Steel



Features

- WiFi Connectivity
- Powerful Cooktop
 - Right Front: 13K BTU
 - Left Front: 9.5K BTU
 - Right Rear: 5K BTU
 - Left Rear: 9.5K BTU
 - Center: Dual, 19K BTU (Oval)
- Cast Iron 3-Piece Grates
- Sealed Burners
- Burner On/Off Monitoring

Convenience

- Dishwasher Safe Grates
- LP Conversion Kit



19K Power Burner



LED Illuminated Backlit Knobs

Signature Features

19K Power Burner

- Powerful burner boils water faster.

Griddle

- Cook breakfast foods, grill sandwiches, or sauté vegetables on the griddle.

LED Illuminated Backlit Knobs

- Visually lets you know your cooktop is on, even at a distance.

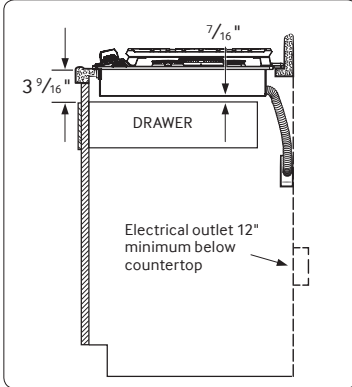
SAMSUNG

NA36N6555TS

36" Gas Cooktop

Installing Your Cooktop

Can be installed over a single oven.

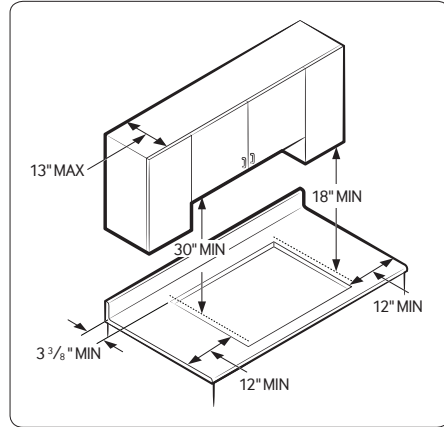
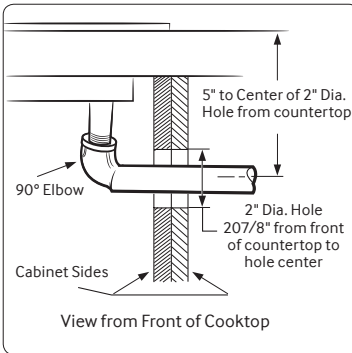


All horizontal clearances must be maintained for a minimum of 18" above the cooking surface.

Allow 7/16" minimum vertical clearance from the cooktop bottom (or 39/16") minimum depth from the countertop) to any combustible surfaces, including the upper edge of a drawer installed below the cooktop.

See built-in oven installation for complete installation instructions.

Maintain the following minimum clearance dimensions.



Total Power (BTU)

- 56K

Power Source

- 120V/60Hz

Gas Cooktop (BTU)

- Right Front: 13K
- Left Front: 9.5K
- Right Rear: 5K Simmer
- Left Rear: 9.5K
- Center: 19K (Dual)

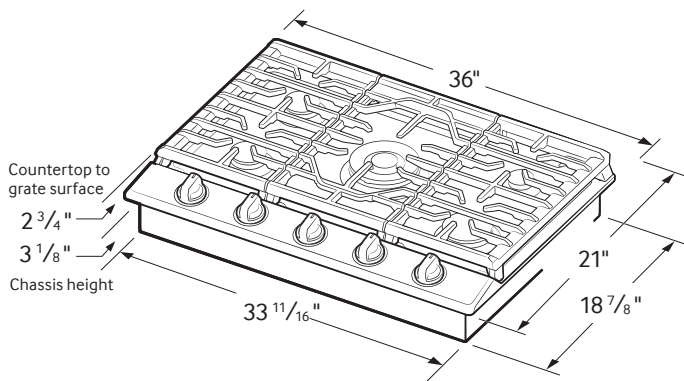
Warranty

One (1) Year All Parts and Labour

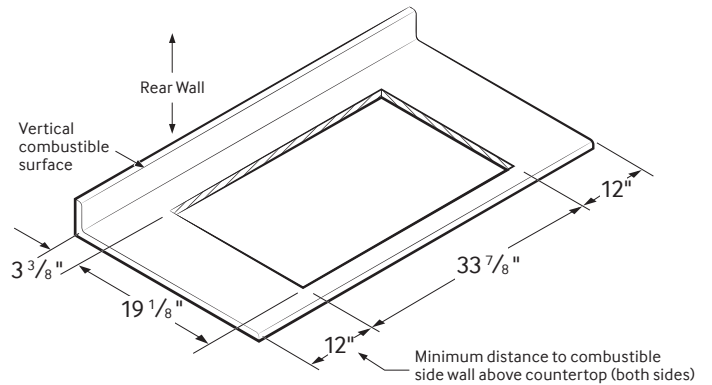
Dimensions

Cooktop Dimensions

Refer to installation manual for more details.



Cut-out Dimensions of Countertop



COLOUR	MODEL #	UPC CODE
Stainless Steel	NA36N6555TS	887276183237

PLEASE VISIT SAMSUNG.COM FOR OUR LATEST UPDATES.

Actual colour may vary. Design, specifications, and colour availability are subject to change without notice. Non-metric weights and measurements are approximate.

© 2016 Samsung Electronics Canada Inc. All rights reserved. Samsung is a registered trademark of Samsung Electronics Co., Ltd., used with permission.

SAMSUNG